

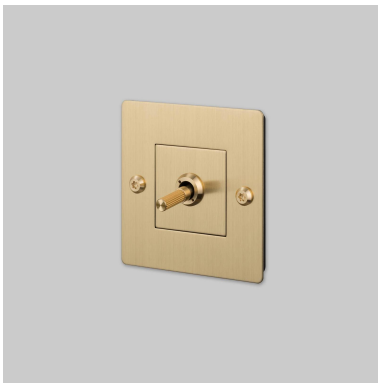
**1G TOGGLE / LINEAR
/ WITHOUT LOGO**

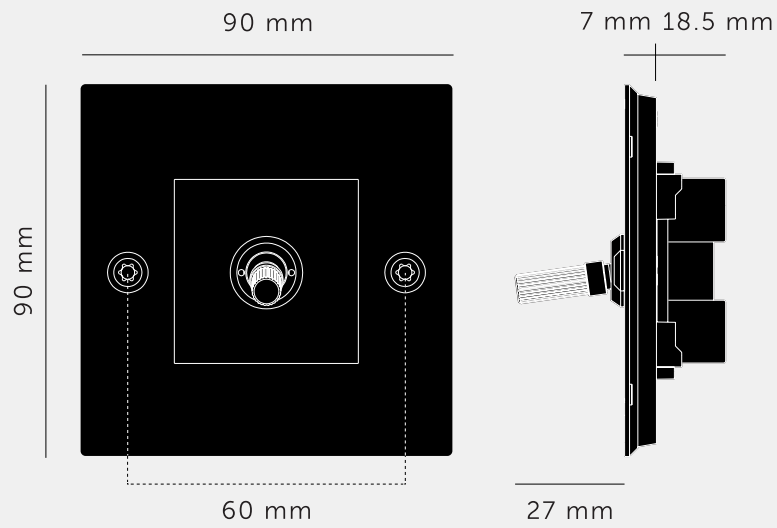
ACTION: TOGGLE SWITCH

KNURL: LINEAR

RANGE: LIGHT SWITCHES

A solid metal toggle switch with diamond-cut cross or linear knurling. The switch is finished with a solid metal flat plate and our signature coin/torx screws. Available in five different finishes, they can be used in combination with our matching dimmers, sockets and USB outlets





SPECIFICATIONS

A 1G toggle switch. The toggle arm is made from solid metal and features our signature, diamond-cut, cross or linear knurl detailing, complete with toggle nut. This switch is 2 way.

INCLUDED

1 x Wall Plate
 1 x Toggle Module
 1 x Toggle Detail Kit

FINISH & SKU NUMBERS

sku:	finish:	size:
CTG-024161	● black	1G
CTG-054162	● brass	1G
CTG-454163	● smoked bronze	1G
CTG-074164		1G
CTG-144165	● white	1G

PLEASE NOTE

DISCLAIMER: Always consult a trade professional when installing this product. Buster + Punch is not responsible for the usage or feasibility of installation requirements. This product is not suitable for damp or wet environments.

CARE INSTRUCTIONS

Wipe with a dry lint free cloth with no loose hairs, avoid using any chemicals. Please note that finishes may age naturally with time and regular use.